

Low Pressure Filter

Pi 200

Nominal pressure 32/63 bar (460/910 psi), nominal size up to 600

1. Features

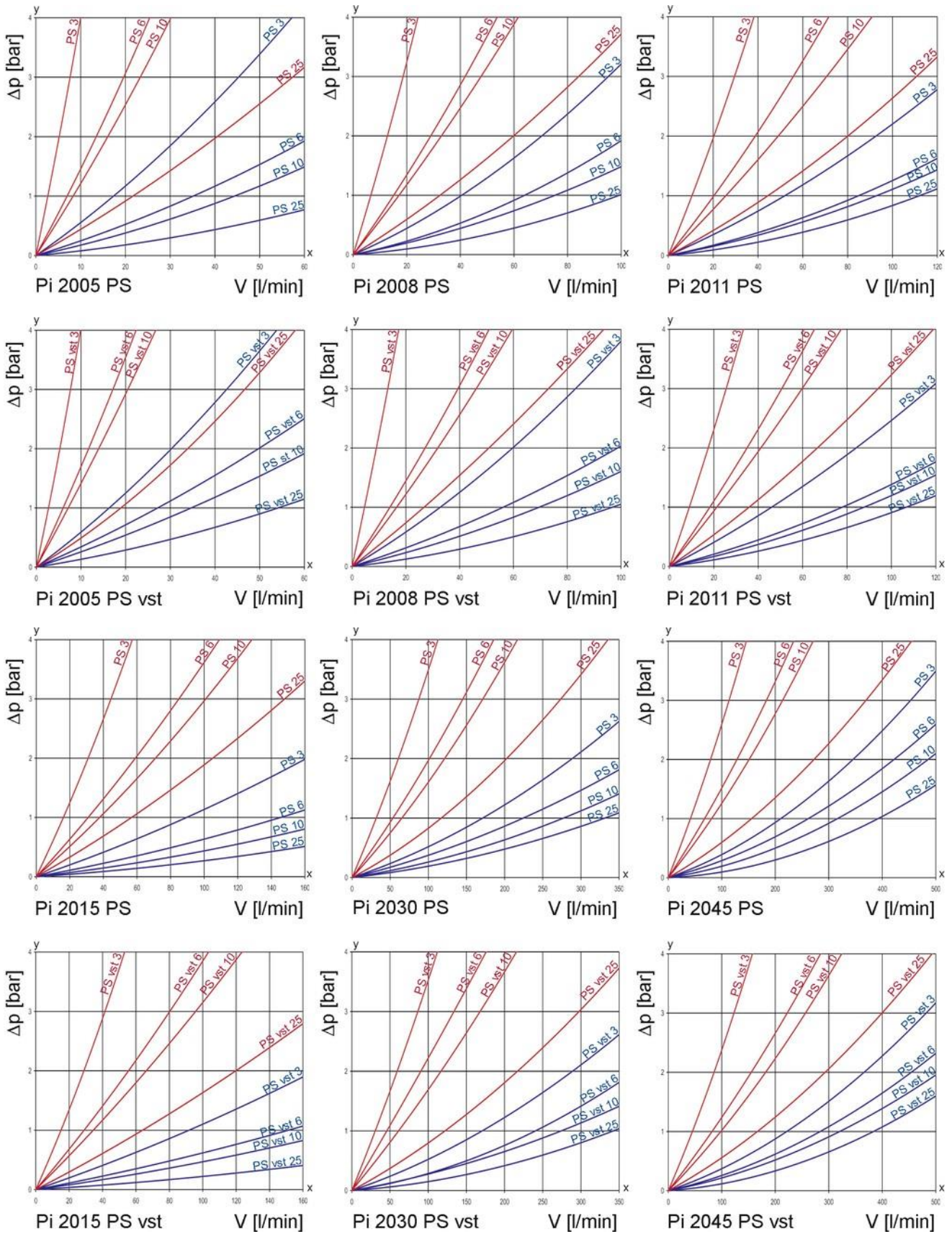
High performance filters for modern hydraulic systems

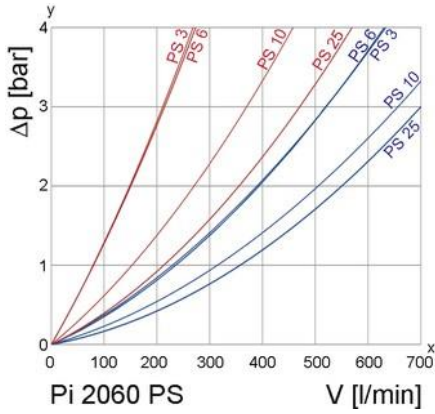
- Provided for pipe installation
- Modular system
- Compact design
- Minimal pressure drop through optimal flow design
- Visual/electrical/electronic maintenance indicator
- Threaded connections
- Quality filters, easy to service
- Equipped with highly efficient glass fibre PS filter elements
- Beta rated elements according to ISO 16889 multipass test
- Elements with high differential pressure stability and dirt holding capacity
- Other connections on request
- Worldwide distribution



2. Flow rate/pressure drop curve (filter housing incl. element)

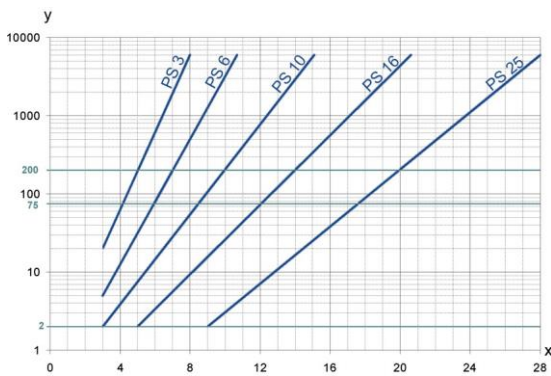
■ 190 mm²/s
■ 33 mm²/s





y = differential pressure Δp [bar]
 x = flow rate V [l/min]

3. Separation grade characteristics



y = beta-value
 x = particle size [μm]

determined by multipass tests (ISO 16889)
 calibration according to (NIST)

5. Quality assurance

Filtration Group filters and filter elements are produced according to the following international standards:

| Norm | Designation |
|--------------|--|
| DIN ISO 2941 | Hydraulic fluid power filter elements; verification of collapse/burst resistance |
| DIN ISO 2942 | Hydraulic fluid power filter elements; verification of fabrication integrity |
| DIN ISO 2943 | Hydraulic fluid power filter elements; verification of material compatibility with fluids |
| DIN ISO 3723 | Hydraulic fluid power filter elements; method for end load test |
| DIN ISO 3724 | Hydraulic fluid power filter elements; verification of flow fatigue characteristics |
| ISO 3968 | Hydraulic fluid power-filters-evaluation of pressure drop versus flow characteristics |
| ISO 10771.1 | Fatigue pressure testing of metal containing envelopes in hydraulic fluid applications |
| ISO 16889 | Hydraulic fluid power filters-multipass method for evaluation filtration performance of a filter element |

4. Filter performance data

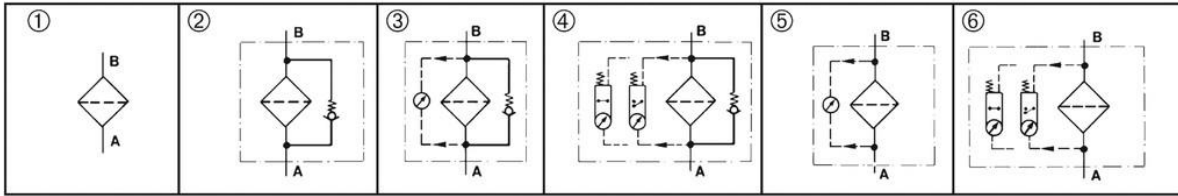
tested according to ISO 16889 (multipass test)

| PS elements with max. Δp 20 bar | | | PS vst elements with max. Δp 210 bar | | |
|--|----|--------------------------|---|----|--------------------------|
| PS | 3 | $\beta_{5(C)} \geq 200$ | PS vst | 3 | $\beta_{5(C)} \geq 200$ |
| PS | 6 | $\beta_{7(C)} \geq 200$ | PS vst | 6 | $\beta_{7(C)} \geq 200$ |
| PS | 10 | $\beta_{10(C)} \geq 200$ | PS vst | 10 | $\beta_{10(C)} \geq 200$ |
| PS | 25 | $\beta_{20(C)} \geq 200$ | PS vst | 25 | $\beta_{20(C)} \geq 200$ |

values guaranteed up to
 10 bar differential pressure

values guaranteed up to
 20 bar differential pressure

6. Symbols



7. Order numbers

Example for ordering filters:

| 1. Filter housing | 2. Filter element |
|--|------------------------|
| V = 80 l/min and visual/electrical maintenance indicator | PS vst 3 |
| Type: Pi 2008-069 | Type: Pi 2208 PS vst 3 |
| Order number: 77665284 | Order number: 77680200 |

7.1 Housing design

| Nominal size NG [l/min] | Order number | Type | ① | ② | ③ | ④ | ⑤ | ⑥ |
|----------------------------|-----------------|-------------|------------|----------------------|---|---|-----------------------------|---------------------------------|
| | | | no options | with bypass valve | with bypass valve and visual indicator | with bypass valve and electrical indicator | with visual indicator | with electrical indicator |
| 50 | 77665144 | Pi 2005-060 | ■ | | | | | |
| | 77665110 | Pi 2005-056 | | ■ | | | | |
| | 77665128 | Pi 2005-057 | | | ■ | | | |
| | 77665136 | Pi 2005-058 | | | | ■ | | |
| | 77665169 | Pi 2005-068 | | | | | ■ | |
| | 77665177 | Pi 2005-069 | | | | | | ■ |
| 80 | 77665235 | Pi 2008-060 | ■ | | | | | |
| | 77665201 | Pi 2008-056 | | ■ | | | | |
| | 77665219 | Pi 2008-057 | | | ■ | | | |
| | 77665227 | Pi 2008-058 | | | | ■ | | |
| | 77665276 | Pi 2008-068 | | | | | ■ | |
| | 77665284 | Pi 2008-069 | | | | | | ■ |
| 110 | 78205114 | Pi 2011-060 | ■ | | | | | |
| | 78205122 | Pi 2011-056 | | ■ | | | | |
| | 78205130 | Pi 2011-057 | | | ■ | | | |
| | 78205148 | Pi 2011-058 | | | | ■ | | |
| | 78205155 | Pi 2011-068 | | | | | ■ | |
| | 78205163 | Pi 2011-069 | | | | | | ■ |
| 150 | 77840580 | Pi 2015-060 | ■ | | | | | |
| | 76165203 | Pi 2015-056 | | ■ | | | | |
| | 76165211 | Pi 2015-057 | | | ■ | | | |
| | 79320748 | Pi 2015-058 | | | | ■ | | |
| | 76165229 | Pi 2015-068 | | | | | ■ | |
| | 78396616 | Pi 2015-069 | | | | | | ■ |
| 300 | 77665474 | Pi 2030-060 | ■ | | | | | |
| | 77665441 | Pi 2030-056 | | ■ | | | | |
| | 77665458 | Pi 2030-057 | | | ■ | | | |
| | 77665466 | Pi 2030-058 | | | | ■ | | |
| | 77665516 | Pi 2030-068 | | | | | ■ | |
| | 77665532 | Pi 2030-069 | | | | | | ■ |

7.1 Housing design

| Nominal size NG [l/min] | Order number | Type | ① no options | ② with bypass valve | ③ with bypass valve and visual indicator | ④ with bypass valve and electrical indicator | ⑤ with visual indicator | ⑥ with electrical indicator |
|----------------------------|-----------------|-------------|-----------------|---------------------------|--|--|----------------------------------|--------------------------------------|
| 450 | 77664881 | Pi 2045-060 | | | | | | |
| | 77664873 | Pi 2045-056 | | | | | | |
| | 77664865 | Pi 2045-057 | | | | | | |
| | 77664857 | Pi 2045-058 | | | | | | |
| | 77664923 | Pi 2045-068 | | | | | | |
| | 77664931 | Pi 2045-069 | | | | | | |
| 600 | 70576046 | Pi 2060-060 | | | | | | |
| | 70576045 | Pi 2060-056 | | | | | | |
| | 70534876 | Pi 2060-057 | | | | | | |
| | 79714171 | Pi 2060-058 | | | | | | |
| | 78205254 | Pi 2060-068 | | | | | | |
| | 70576047 | Pi 2060-069 | | | | | | |

When filter with non bypass configuration is selected, the collapse pressure of the element must not be exceeded.

7.2 Filter elements (a wider range of element types is available on request)

| Nominal size NG [l/min] | Order number | Type | Filter material | max. Δp [bar] | Filter surface [cm²] |
|----------------------------|-----------------|---------------|-------------------|------------------|-------------------------|
| 50 | 77680135 | Pi 2105 PS 3 | PS 3 | 20 | 590 |
| | 77943509 | Pi 5105 PS 6 | PS 6 | | 590 |
| | 77680325 | Pi 3105 PS 10 | PS 10 | | 590 |
| | 77680440 | Pi 4105 PS 25 | PS 25 | | 590 |
| | 210 | 77680192 | Pi 2205 PS vst 3 | PS vst 3 | 425 |
| | | 77943533 | Pi 5205 PS vst 6 | PS vst 6 | 425 |
| | | 77680382 | Pi 3205 PS vst 10 | PS vst 10 | 425 |
| | | 77680507 | Pi 4205 PS vst 25 | PS vst 25 | 425 |
| 80 | 77680143 | Pi 2108 PS 3 | PS 3 | 20 | 1150 |
| | 77943517 | Pi 5108 PS 6 | PS 6 | | 1150 |
| | 77680341 | Pi 3108 PS 10 | PS 10 | | 1150 |
| | 77680457 | Pi 4108 PS 25 | PS 25 | | 1150 |
| | 210 | 77680200 | Pi 2208 PS vst 3 | PS vst 3 | 850 |
| | | 77943541 | Pi 5208 PS vst 6 | PS vst 6 | 850 |
| | | 77681190 | Pi 3208 PS vst 10 | PS vst 10 | 850 |
| | | 77680515 | Pi 4208 PS vst 25 | PS vst 25 | 850 |
| 110 | 77680150 | Pi 2111 PS 3 | PS 3 | 20 | 1700 |
| | 77943525 | Pi 5111 PS 6 | PS 6 | | 1700 |
| | 77680333 | Pi 3111 PS 10 | PS 10 | | 1700 |
| | 77680465 | Pi 4111 PS 25 | PS 25 | | 1700 |
| | 210 | 77680218 | Pi 2211 PS vst 3 | PS vst 3 | 1275 |
| | | 77943558 | Pi 5211 PS vst 6 | PS vst 6 | 1275 |
| | | 77680390 | Pi 3211 PS vst 10 | PS vst 10 | 1275 |
| | | 77680523 | Pi 4211 PS vst 25 | PS vst 25 | 1275 |
| 150 | 77680168 | Pi 2115 PS 3 | PS 3 | 20 | 2425 |
| | 77955099 | Pi 5115 PS 6 | PS 6 | | 2425 |
| | 77680358 | Pi 3115 PS 10 | PS 10 | | 2425 |
| | 77680473 | Pi 4115 PS 25 | PS 25 | | 2425 |

| 7.2 Filter elements (a wider range of element types is available on request) | | | | | |
|--|-----------------|-------------------|-----------------|--------------------------|--------------------------------------|
| Nominal size NG [l/min] | Order number | Type | Filter material | max. Δp [bar] | Filter surface [cm ²] |
| 150 | 77680226 | Pi 2215 PS vst 3 | PS vst 3 | 210 | 2010 |
| | 77955123 | Pi 5215 PS vst 6 | PS vst 6 | | 2010 |
| | 77680408 | Pi 3215 PS vst 10 | PS vst 10 | | 2010 |
| | 77680531 | Pi 4215 PS vst 25 | PS vst 25 | | 2010 |
| 300 | 77680176 | Pi 2130 PS 3 | PS 3 | 20 | 4620 |
| | 77955107 | Pi 5130 PS 6 | PS 6 | | 4620 |
| | 77680366 | Pi 3130 PS 10 | PS 10 | | 4620 |
| | 77680481 | Pi 4130 PS 25 | PS 25 | | 4620 |
| | 77680234 | Pi 2230 PS vst 3 | PS vst 3 | 210 | 3800 |
| | 77955131 | Pi 5230 PS vst 6 | PS vst 6 | | 3800 |
| | 77680416 | Pi 3230 PS vst 10 | PS vst 10 | | 3800 |
| | 77680549 | Pi 4230 PS vst 25 | PS vst 25 | | 3800 |
| 450 | 77680184 | Pi 2145 PS 3 | PS 3 | 20 | 6865 |
| | 77955115 | Pi 5145 PS 6 | PS 6 | | 6865 |
| | 77680374 | Pi 3145 PS 10 | PS 10 | | 6865 |
| | 77680499 | Pi 4145 PS 25 | PS 25 | | 6865 |
| | 77680242 | Pi 2245 PS vst 3 | PS vst 3 | 210 | 5600 |
| | 77955149 | Pi 5245 PS vst 6 | PS vst 6 | | 5600 |
| | 77680424 | Pi 3245 PS vst 10 | PS vst 10 | | 5600 |
| | 77680556 | Pi 4245 PS vst 25 | PS vst 25 | | 5600 |
| 600 | 70346506 | Pi 2160 PS 3 | PS 3 | 20 | 9398 |
| | 76114318 | Pi 5160 PS 6 | PS 6 | | 9398 |
| | 79393380 | Pi 3160 PS 10 | PS 10 | | 9398 |
| | 79748047 | Pi 4160 PS 25 | PS 25 | | 9398 |

8. Technical specifications

| | |
|---|---|
| Design: | in-line filter |
| Nominal pressure: | |
| Pi 2005 - 2011 | 10 ⁷ load changes 63 bar (900 psi) |
| Pi 2015 - 2060 | 10 ⁷ load changes 25 bar (360 psi) |
| | 2x 10 ⁶ load changes 32 bar (460 psi) |
| Test pressure: | |
| Pi 2005 - 2011 | 95 bar (1370 psi) |
| Pi 2015 - 2060 | 48 bar (690 psi) |
| Temperature range: | -30 °C to +120 °C |
| | survival temperature -40 °C (other temperature ranges on request) |
| Bypass setting: | Δp 3.5 bar \pm 10 % |
| Filter head material: | GDAL |
| Filter housing material: | AL/St |
| Sealing material: | NBR/AL |
| Maintenance indicator setting: | Δp 2.2 bar \pm 10 % |
| Electrical data of maintenance indicator: | |
| Max. voltage: | 250 V AC/200 V DC |
| Max. current: | 1 A |
| Max. power: | 70 W |
| Type of protection: | IP 65 in inserted and secured status |
| Contact: | normally open/closed |
| Cable sleeve: | M20x1.5 |

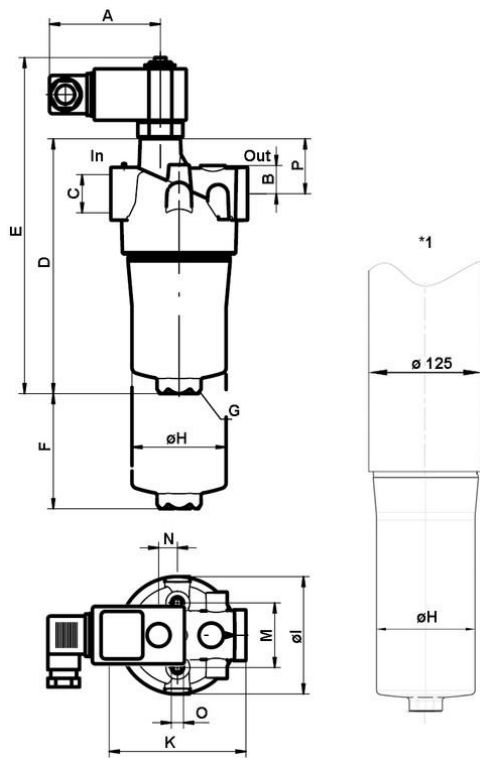
The switching function can be changed by turning the electric upper part by 180° (normally closed contact or normally open contact). The state on delivery is a normally closed contact. By inductivity in the direct current circuit the use of suitable protection circuit should be considered. Further maintenance indicator details and designs are available in the maintenance indicator data sheet.

We draw attention to the fact that all values indicated are average values and do not always occur in specific cases of application. Our products are continually being further developed. Values, dimensions and weights can change as a result of this. Our specialized department will be pleased to offer you advice.

We recommend you to contact us concerning applications of our filters in areas governed by the EU Directive 94/9 EC (ATEX 95). The standard version can be used for liquids based on mineral oil (corresponding to the fluids in Group 2 of Directive 97/23 EC Article 9). If you consider to use other fluids please contact us for additional support.

Subject to technical alteration without prior notice.

9. Dimensions



In Inlet

Out Outlet

*1 Housing design for NG 600

All dimensions except "C" in mm.

| Type | A | B | C* | D | E | F | G SW | H | I | K | M | N | O | P | Weight [kg] |
|---------|----|----|-----|-----|-----|-----|---------|-----|-----|-----|----|------|--------|------|-------------|
| Pi 2005 | 78 | 19 | G½ | 177 | 235 | 80 | 27 | 66 | 80 | 95 | 45 | 13.0 | M8x10 | 37,5 | 0.9 |
| Pi 2008 | 78 | 19 | G¾ | 253 | 311 | 80 | 27 | 66 | 80 | 95 | 45 | 13.0 | M8x10 | 37,5 | 1.0 |
| Pi 2011 | 78 | 19 | G¾ | 335 | 393 | 80 | 27 | 66 | 80 | 95 | 45 | 13.0 | M8x10 | 37,5 | 1.2 |
| Pi 2015 | 78 | 30 | G1¼ | 244 | 302 | 110 | 32 | 109 | 128 | 150 | 60 | 24.5 | M12x15 | 43,5 | 2.1 |
| Pi 2030 | 78 | 30 | G1¼ | 360 | 418 | 110 | 32 | 109 | 128 | 150 | 60 | 24.5 | M12x15 | 43,5 | 2.4 |
| Pi 2045 | 78 | 30 | G1¼ | 475 | 533 | 110 | 24 | 109 | 128 | 150 | 60 | 24.5 | M12x15 | 43,5 | 6.5 |
| Pi 2060 | 78 | 30 | G1¼ | 615 | 643 | 110 | 32 | 109 | 128 | 150 | 60 | 24.5 | M12x15 | 43,5 | 5.5 |

* NPT and SAE connections on request

10. Installation, operating and maintenance instructions

10.1 Filter installation

When installing the filter make sure that sufficient space is available to remove filter element and filter housing.

Preferably the filter should be installed with the filter housing pointing downwards.

The maintenance indicator must be visible.

10.2 Connecting the electrical maintenance indicator

The electrical indicator is connected via a 2-pole appliance plug according to DIN EN 175301-803 with poles marked 1 and 2. The electrical section can be inverted to change from normally open position to normally closed position or vice versa.

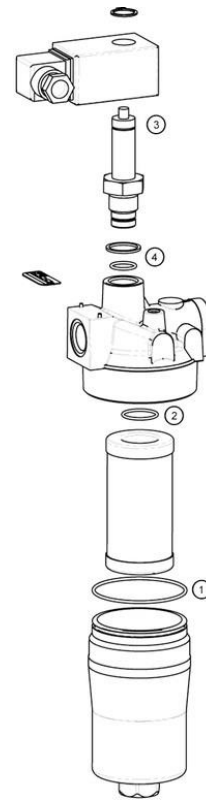
The state on delivery is a normally closed contact

10.3 When should the filter element be replaced?

- Filters equipped with visual and electrical maintenance indicator:
During cold starts, the indicator may give a warning signal. Press the red button of the visual indicator once again only after operating temperature has been reached. If the red button immediately pops up again and/or the electrical signal has not switched off after reaching operating temperature, the filter element must be replaced after the end of the shift.
- Filters without maintenance indicator:
The filter element should be replaced after the trial run or flushing of the system. Afterwards follow instructions of the manufacturer.
- Please always ensure that you have original Filtration Group spare elements in stock: Disposable elements cannot be cleaned.

10.4 Element replacement

- Stop system and relieve filter from pressure.
- Unscrew the filter housing by turning counter-clockwise. Clean the housing using a suitable cleaning solvent.
- Remove element by pulling down carefully.
- Check O-ring on the filter housing for damage. Replace, if necessary.
- Make sure that the order number on the spare element corresponds to the order number of the filter name-plate.
To ensure no contamination occurs during the exchange of the element first open the plastic bag and push the element over the spigot in the filter head. Now remove plastic bag.
- Lightly lubricate the threads of the filter housing a little bit and screw into the filter head. Maximum tightening torque for NG 50 to 110 = 30 Nm, for NG 150 to 600 = 50 Nm.



11. Spare parts list

| Order numbers of spare parts | | |
|------------------------------|------------------------------------|--------------|
| Position | Type | Order number |
| ① - ② | Seal kit for filter | |
| | Pi 2005 - Pi 2011 | |
| | NBR | 77550213 |
| | FPM | 77845795 |
| | EPDM | 77845803 |
| | Pi 2015 - Pi 2060 | |
| | NBR | 77550221 |
| | FPM | 77845811 |
| | EPDM | 77845829 |
| ③ | Maintenance indicator | |
| | Visual PiS 3098/2,2 | 77669971 |
| | Electrical PiS 3097/2,2 | 77669948 |
| | Electrical upper section only | 77536550 |
| ④ | Seal kit for maintenance indicator | |
| | NBR | 77760309 |
| | FPM | 77760317 |
| | EPDM | 77760325 |

Your Contact

FILCOM GmbH
Schönbuchstr. 1
D-73760 Ostfildern

Phone: +49 (0) 711-4413322-0
Fax: +49 (0) 711-4413322-22
Mail: info@filcom.de

www.filcom.de

FILCOM[®]
FILTRATION